

# Surface Mount Fuses

## Subminiature Surface Mount

### RoHS NANO<sup>2</sup>® 250V UMF FUSE Time Lag 465 Series



- The Surface Mount Nano<sup>2</sup> 250V UMF product family complies with IEC Publication IEC 60127-4-Universal Modular Fuse-Links [UMF]. This IEC standard has been accepted by UL/CSA making it the first global fuse standard.
- The Nano<sup>2</sup> 250V UMF fuse family is based on the proven NANO<sup>2</sup> Fuse product technology.
- Product is **RoHS Compliant** and compatible with lead-free solders and higher temperature profiles.

#### ELECTRICAL CHARACTERISTICS:

% of Ampere Rating	Opening Time
125%	1 hour, <b>Minimum</b>
200%	2 minutes, <b>Maximum</b>
1000%	0.01 sec, <b>Min</b> ; 0.1 sec <b>Max</b>

**AGENCY APPROVALS:** Listed to IEC 60127-4, Universal Modular Fuse-Links (UMF), 250V. UL Listed. Approved by METI.

**AGENCY FILE NUMBERS:** UL E184655. METI NBK30502-E184655a,b.

**INTERRUPTING RATINGS:** 100 amperes at 250VAC

#### ENVIRONMENTAL SPECIFICATIONS:

**Operating Temperature:** -55°C to 125°C.

**Shock:** MIL-STD-202, Method 213, Test Condition A.

**Vibration:** MIL-STD-202, Method 201 (10–55 Hz).

**Insulation Resistance (After Opening):** IEC60127-4 (0.1MΩ min @ 500VDC).

**Resistance to Soldering Heat:** IEC60127-4.

**Thermal Shock:** MIL-STD-202, Method 107, Test Condition B (-65 to 125°C, 5 cycles).

**Moisture Resistance:** MIL-STD-202, Method 106

#### PHYSICAL SPECIFICATIONS:

**Materials:** Body: High Performance Ceramic  
Terminations: Silver plated brass.

#### Soldering Parameters:

Wave Solder — 260°C, 10 seconds maximum

Reflow Solder — 260°C, 30 seconds maximum

**Solderability:** IEC60127-4.

**PACKAGING SPECIFICATIONS:** 24mm Tape and Reel per EIA-RS481-1 (IEC 286, part 3); 1,500 per reel, add packaging suffix, DR.

#### PATENTED

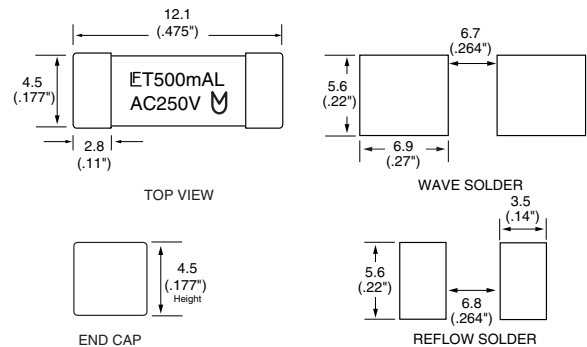
#### ORDERING INFORMATION:

Catalog Number	Ampere Rating	Voltage Rating	Nominal Cold Resistance (Ohms)	Nominal Melting I <sup>2</sup> t (A <sup>2</sup> sec)
0465 001.	1.0	250	0.107	2.8
0465 1.25	1.25	250	0.083	5.6
0465 01.6	1.6	250	0.056	9.2
0465 002.	2.0	250	0.039	14.9
0465 02.5	2.5	250	0.026	21.0
0465 3.15	3.15	250	0.021	31.7
0465 004.	4.0	250	0.016	48.4
0465 005.	5.0	250	0.0130	87.0
0465 06.3	6.3	250	0.0088	144.4

\*For information and availability of additional ratings please contact Littelfuse



#### Reference Dimensions:



#### Average Time Current Curves

